

DIN-Mount Adapter

Adapter für DIN-Schienen-Montage

Adapter voor DIN-rail Montage

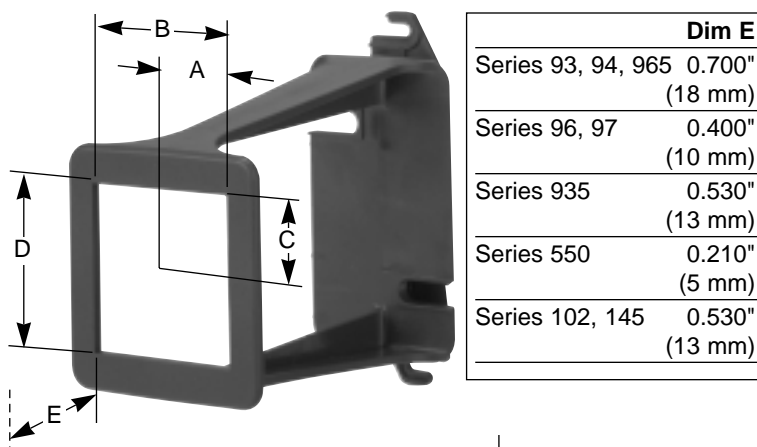
Adaptador para riel DIN

Adaptateur pour rail DIN

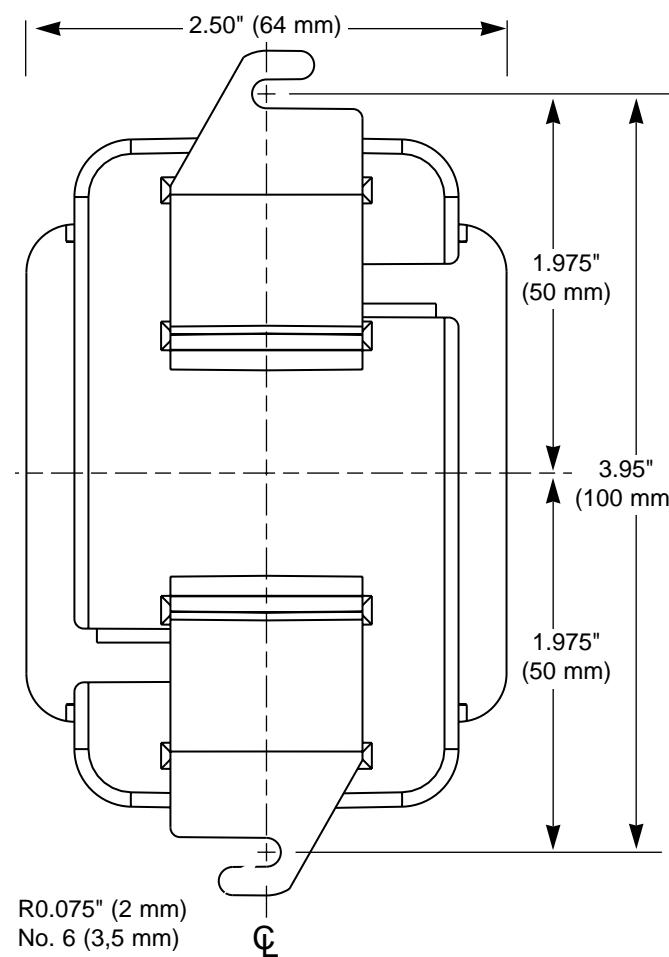
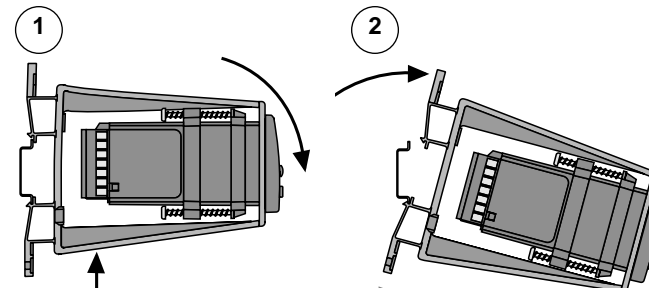
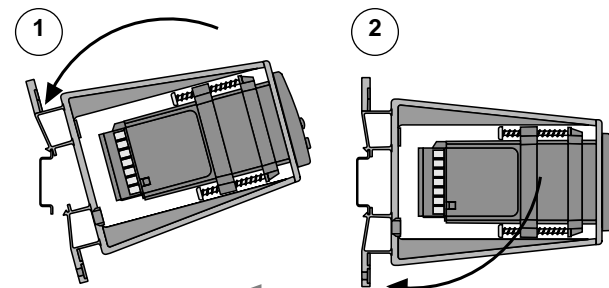
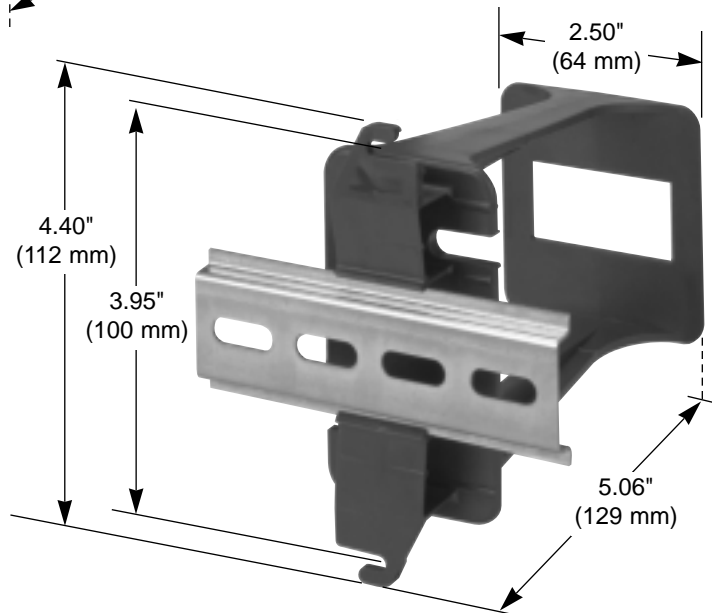
Adattatore per guida DIN

P/N	Dim A	Dim B	Dim C	Dim D
0822-0586-P001 1/32 DIN	0.886" (23 mm)	1.772" (45 mm)	0.437" (11 mm)	0.874" (22 mm)
0822-0586-P002 1/16 DIN	0.886" (23 mm)	1.772" (45 mm)	0.886" (23 mm)	1.772" (45 mm)

Lexan® Polycarbonate



	Dim E
Series 93, 94, 965	0.700" (18 mm)
Series 96, 97	0.400" (10 mm)
Series 935	0.530" (13 mm)
Series 550	0.210" (5 mm)
Series 102, 145	0.530" (13 mm)



Watlow Controls
1241 Bundy Blvd., P.O. Box 5580, Winona, Minnesota USA 55987-5580
Tel: (507) 454-5300. Fax: (507) 452-4507. <http://www.watlow.com>

0600-0004-0013 Rev A
June, 1999

Made in the U.S.A.
Printed on Recycled Paper
10% Postconsumer Waste
© 1999, Watlow Winona, Inc. (1623)